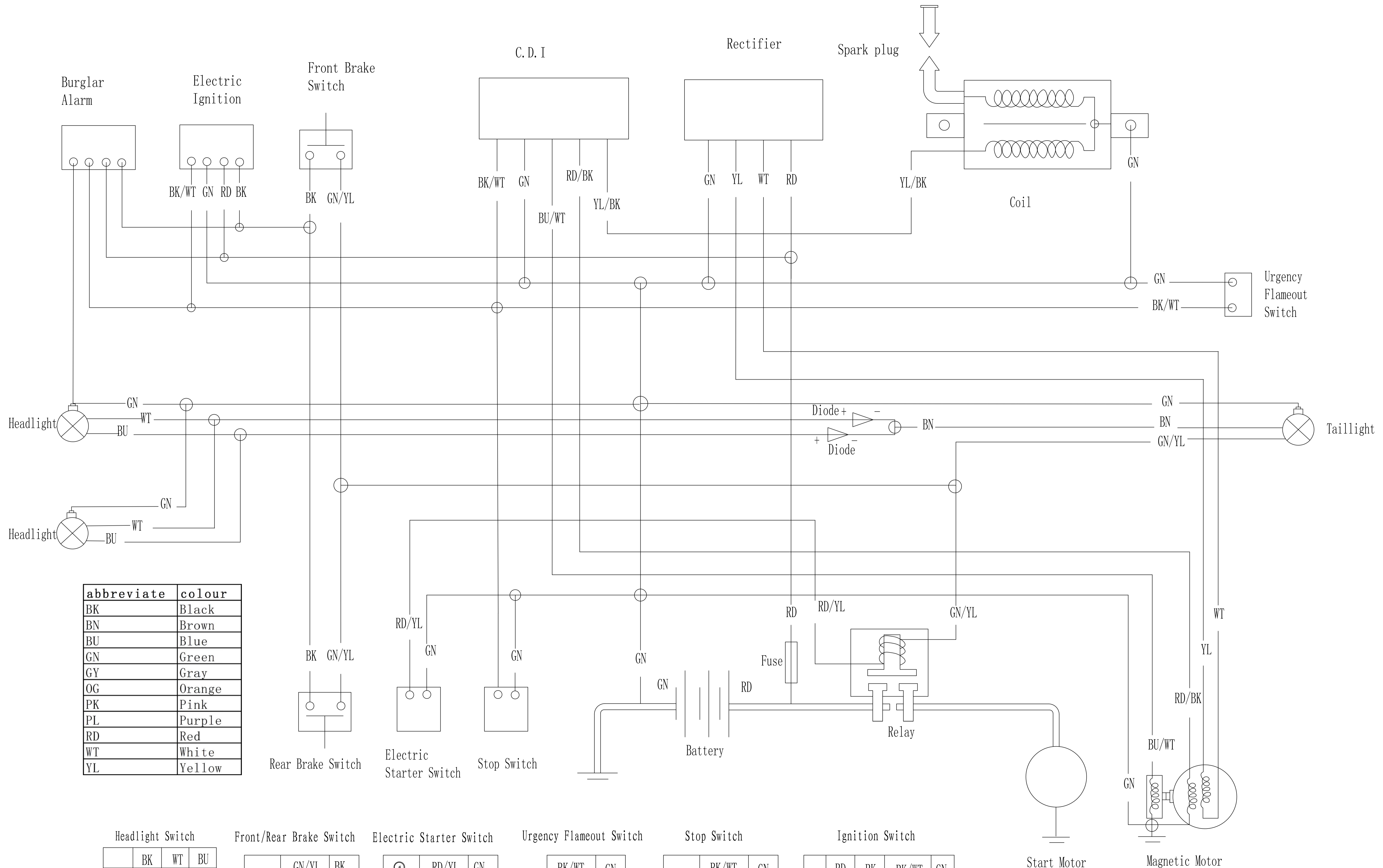


# YX110 Electrical Schematic Diagram



abbreviate	colour
BK	Black
BN	Brown
BU	Blue
GN	Green
GY	Gray
OG	Orange
PK	Pink
PL	Purple
RD	Red
WT	White
YL	Yellow

Headlight Switch

	BK	WT	BU
○			
☰	○	○	
☷	○		○

Front/Rear Brake Switch

	GN/YL	BK
Idle		
Down	○	○

Electric Starter Switch

⚙️	RD/YL	GN
Idle		
Down	○	○

Urgency Flameout Switch

	BK/WT	GN
	○	○

Stop Switch

	BK/WT	GN
⏹️		
⏹️	○	○

Ignition Switch

	RD	BK	BK/WT	GN
ON	○	○		
OFF			○	○

Start Motor  
Magnetic Motor